



**RESPIRATORY  
PROTECTION  
PRODUCTS**

**BLS SRL**  
via dei Giovi, 41  
20032 Cornano (MI) - Italy  
t/f +39 0239310212 / 0266200473  
info@blsgroup.it - www.blsgroup.com

# BLS 5700/C

FULL FACE MASK WITH HOOD AND BAYONET CONNECTION



BLS 5700/C reusable full-face mask features a silicone face seal and is complete with a hood made of a fabric that is resistant to aggression from many chemicals. It is equipped with the **b-lock** bayonet connection and is compatible with the BLS 200 filter range, for protection against gases/vapours and toxic particulates.



## FEATURES

BLS 5700/C full-face mask is equipped with a hood made of a fabric that is resistant to chemical aggression. The mask must be used with BLS b-lock series filters. The hood covers the head and shoulders and, unlike other hoods, leaves no opening between the mask and the hood. This hood is fixed between the polycarbonate visor and the face seal, eliminating the possibility of user error and the passage of contaminants through the mask seal. The mask harness overlaps the hood to ensure easy adjustment.

## HARNESS

Fixed on 6 connection points, it guarantees a highly precise adjustment by distributing the pressure on the face uniformly.

## FACE SEAL

Made of soft and hypoallergenic silicon, which is also characterized by a very good resistance to high heat.

## PHONIC MEMBRANE

An aluminum layer, inside the breathing unit of the device, enables the transmission of vocal sound.

## NEW INNER HALF MASK

The half mask has been redesigned to better fit the facial profile, and is easily replaceable. It is made of soft TPE, which is non-deformable.

## b-lock BAYONET CONNECTION

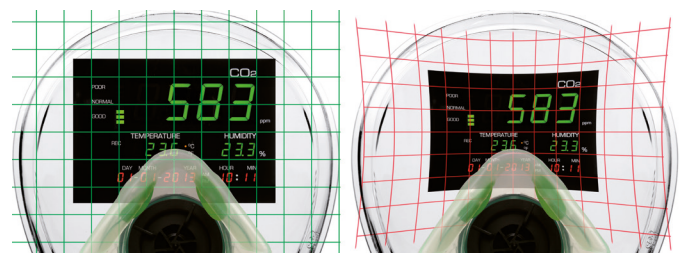
This connection is highly intuitive allowing a quick and safe hold on the mask. It has a locking feedback allowing the user to know if the filter has been properly placed. The dual filter solution ensures a wider field of vision, as well as an ideal distribution of the weight of filters.

## ANTI-FOG

Designed to avoid visor fogging through the control of the cold and hot air flowing inside the mask without perishable surface treatments.

## SCRATCH RESISTANT VISOR, OPTICAL CLASS 1 (EN 166)

The screen allows a panoramic visual field without optical distortions. A vitrification treatment on its surface makes it scratch resistant.

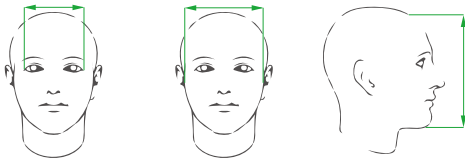


# BLS 5700/C

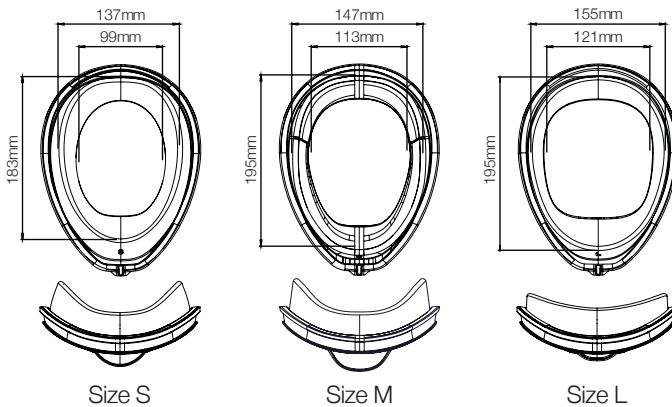
## FULL FACE MASK WITH HOOD AND BAYONET CONNECTION

### AVAILABLE SIZES

BLS 5700/C full face mask is available in Small, Medium and Large size, to perfectly fit all facial profiles.



<b>S</b>	<b>99mm</b>	<b>137mm</b>	<b>183mm</b>
<b>M</b>	<b>113mm</b>	<b>147mm</b>	<b>195mm</b>
<b>L</b>	<b>121mm</b>	<b>155mm</b>	<b>195mm</b>



### CHARACTERISTICS OF THE HOOD FABRIC

The fabric of the hood reacts with strong acids. Interaction with strong acids can be detected through the change in colour of the cap. The synthetic neoprene rubber has a high tolerance for deterioration due to grease, dilute acids and bases, solutions with oxidising salts, aliphatic hydrocarbons, refrigerants and vegetable oils. The hypalon finish increases abrasion resistance.

Weight of the finished fabric	EN 12127	350 g/m <sup>2</sup> ±10%
-------------------------------	----------	---------------------------



### PERFORMANCE REQUIREMENTS

The fabric resists the aggression of numerous chemicals.

#### PENETRATION RESISTANCE ACCORDING TO EN 368 STANDARD

Substance	Penetration Index (%)
Hydrofluoric acid – HF 40% (10 ml in 10 ± 1s)	3 (0%)

#### PERMEATION RESISTANCE ACCORDING TO ISO 6529:2013 STANDARD

Substance	Breakthrough (minutes)
Sodium hydroxide at 50% – NaOH 50%	> 480
Sulphuric acid at 96% – H <sub>2</sub> SO <sub>4</sub> 96%	> 480
Isopropyl alcohol – C <sub>3</sub> H <sub>8</sub> O	> 480



# BLS 5700/C

## FULL FACE MASK WITH HOOD AND BAYONET CONNECTION

### MATERIALS

FACE SEAL	Silicone, FDA certified, hypoallergenic (*)
VISOR	Polycarbonate (PC) + vitrification
FILTER HOLDER	Polyamide (PA)
HARNESS	EPDM
INNER HALF MASK	Thermoplastic elastomer (TPE)
SPEECH DIAPHRAGM	Aluminium

(\*) Test report Centrocot n. 24RA05611

All components in direct contact with user's face are LATEX FREE

Full face mask BLS 5700/C is Made in Europe, as well as all its components

NOTE: the polycarbonate visor of the BLS 5700/C full face mask has excellent resistance to most solvents, such as toluene, cyclohexane, acetone, ethanol, MEK, ethyl acetate. If chemicals are used, however, we recommend the use of protective films to extend the life of the screen.

### TECHNICAL DATA

MODEL	FACE SEAL	DEVICE CLASS	OPTICAL CLASS EN 166	CONNECTION	NPF (particle and combined filter)	NPF (gas filter)
BLS 5700/C (Size S)	Silicone	2	1	Bayonet (b-lock)	1000*TLV (P3)	2000*TLV
BLS 5700/C (Size M)	Silicone	2	1	Bayonet (b-lock)	1000*TLV (P3)	2000*TLV
BLS 5700/C (Size L)	Silicone	2	1	Bayonet (b-lock)	1000*TLV (P3)	2000*TLV

(TLV) Threshold Limit Value (NPF) Nominal Protection Factor

### TRANSPORT

MODEL	CODE	SIZE	WEIGHT (g)	Q.TY/BOX	Q.TY/CARTON	WEIGHT CARTON (Kg)
BLS 5700/C	8102022	S	860	1	4	4,07
BLS 5700/C	8001097	M	852	1	4	3,39
BLS 5700/C	8102023	L	814	1	4	4,91

### STORAGE

SHELF-LIFE	10 years
TEMPERATURE	-10°C/+50°C
RELATIVE HUMIDITY	80% max

### CERTIFICATION

BLS full face masks are:

- Certified according to European Regulation 2016/425 (Personal Protective Equipments)
- Certified as PPE of III category, in presumption of conformity to harmonized standard EN 136:1998
- Certified and controlled according to Annex D by Italcert S.r.l. (Notified Body n°0426)
- CE marked

BLS management system is ISO 9001 certified.

# BLS 5700/C

FULL FACE MASK WITH HOOD AND BAYONET CONNECTION

## COMPATIBLE DEVICES



BLS 200 series  
filters

BLS 201 series  
filters

## DEVICES WITH THE SAME CONNECTION



BLS 4000next S – BLS 4000next R  
half masks

## COMPATIBLE FILTERS

CODE	PRODUCT	PROTECTION	COLOUR CODE
8011118	202 P3 R <sup>(5)</sup>	Dust	○
8011109	211 A2	Organic gases and vapours, class 2	●
8011205	212 AX	Organic gases and vapours with a boiling point ≤ 65° C	●
8011110	213 ABE1	Organic, inorganic and acid gases and vapours, class 1	● ● ●
8011111	214 ABEK1	Organic, inorganic and acid gases, vapours, ammonia and derivatives, class 1	● ● ● ●
8011112	221 A2P3 R	Organic gases and vapours, class 2 and dust	● ○
8011113	222 ABEK1P3 R <sup>(2)</sup>	Organic, inorganic and acid gases and vapours and ammonia and derivatives, class 1 and dust	● ● ● ● ○
8011206	225 AXP3 NR <sup>(1)</sup>	Organic gases and vapours with a boiling point ≤ 65°C and dust	● ○
8011145	226 ABE1P3 R	Organic, inorganic and acid gases and vapours, dust	● ● ● ○
8117029	227 ABEK1HgP3	Organic, inorganic and acid gases and vapours and ammonia and derivatives, class 1, mercury vapours and dust, hydrofluoric acid	● ● ● ● ● ○
8011133	242 ABE2 <sup>(3)</sup>	Organic, inorganic and acid gases and vapours, class 2	● ● ●
8011114	243 ABEK2 <sup>(3)</sup>	Organic, inorganic and acid gases, vapours, ammonia and derivatives, class 2	● ● ● ●
8011134	244 K2	Ammonia and derivatives, class 2	●
8011140	253 ABE2P3 R <sup>(1)</sup>	Organic, inorganic and acid gases and vapours, class 2 and dust	● ● ● ○
8011141	254 ABEK2HgP3 R D <sup>(1)</sup>	Organic, inorganic and acid gases and vapours and ammonia and derivatives, class 2, mercury vapours and dust	● ● ● ● ● ○
8117008	301 P2 R <sup>(4)</sup>	Dust	○
8117030	301-3 P3 R <sup>(4)</sup>	Dust	○

(1) these filters cannot be used with half masks because their weight is >300g

(2) these filters are tested against hydrogen fluoride

(3) these filters are tested against formaldehyde

(4) dust prefilter to be mounted on BLS 200 series gas filters

(5) these filters have been tested with Nano Filtration technology

# BLS 5700/C

FULL FACE MASK WITH HOOD AND BAYONET CONNECTION

## ACCESSORIES



**C43** – Washable bag with shoulder belt.



**C22** – Frame for prescription lenses.



**C90** – Wall mounted container.



**Q409** – 150ml disinfectant spray bottle.



**Q409** – Multi-purpose disinfectant wipes.



**K19** – Acetate visor cover.

## FIELDS OF USE

The use of a full face mask is advisable in the following situations:

- when the user is exposed to contaminants which are aggressive both for the breathing apparatus and the eyes;
- when the concentration of the contaminant is higher than the protection factor of halfmasks with filters.

Nominal Protection factor for full face masks: 1.000 x TLV with dusts and combined filters; 2.000 x TLV with gas filters.

## SELECTION GUIDE

### FULL FACE MASK VS HALF MASK

- Provides a much higher Nominal Protection Factor: 1.000 x TLV with dusts and combined filters; 2.000 x TLV with gas filters
- Protects face and eyes from dust, splinters and chemicals
- Supports filters with a total weight higher than 300 g

## LIMITATIONS OF USE

Do not use the full face mask when:

- oxygen concentration is < 17% or > 25%;
- the contaminants present are unknown, or have a low odour threshold, or are in concentrations that exceed the protection factor of the face mask.

*NOTE: it is unlikely that a correct fit is achieved in case of users with beard or glasses.*

## IMPORTANT

BLS declines any responsibility, direct or indirect, from any misuse of both devices and instructions. User is responsible for the determination of product compliance with the intended use.